

# Datasheet

## USB Camera

客户名称 Customer Name : /

型 号 Model : 003-0420/421

日 期 Date : 2018-7-4

确认回签 Approved :

### 内 容 CONTENT

- |           |                              |
|-----------|------------------------------|
| 1、 目的     | Purpose                      |
| 2、 效力     | Effect                       |
| 3、 技术参数   | Technical parameters         |
| 4、 外观尺寸   | Shape and Dimensions         |
| 5、 镜头结构   | Lens Construction            |
| 6、 功能检验标准 | Function inspection criteria |
| 7、 外观检验标准 | Visual inspection criteria   |
| 8、 可靠性测试  | Reliability Test             |
| 9、 包装要求   | Packaging requirements       |
| 10、 其他    | Other                        |

版本 Version	编写 Compile	审核 Auditing	批准 Authorize
V1.0	张金畅	张金畅	朱中文

# Datasheet

## 一、目的 (Purpose)

为了全面地描述技术合作中所指的技术规格，通常需要由一整套文件予以表示。作为其中的一部分，本技术规格规定了摄像头模组应达到的特定技术规格，对于该型号货品具有约束力。

For a comprehensive description of technical cooperation referred to the technical specifications, usually a set of documents required by the express. As one part of the technical specifications of the provides camera modules should meet the specific technical specifications for the goods model binding.

## 二、效力 (Efficacy)

如果本规范与该类货品的通用技术规格书中的规格不一致时，以本规格书中的规定为准。

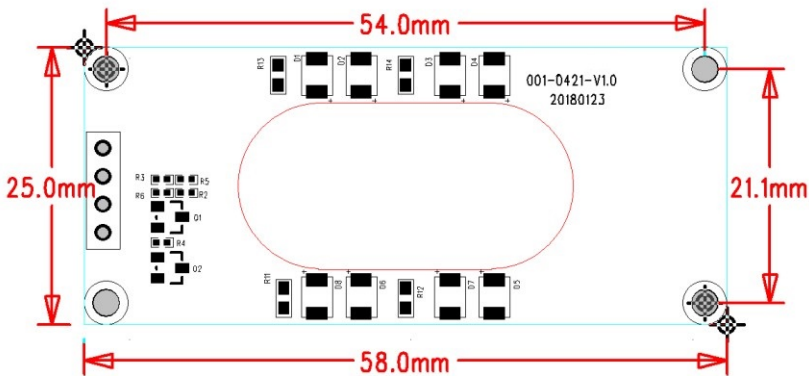
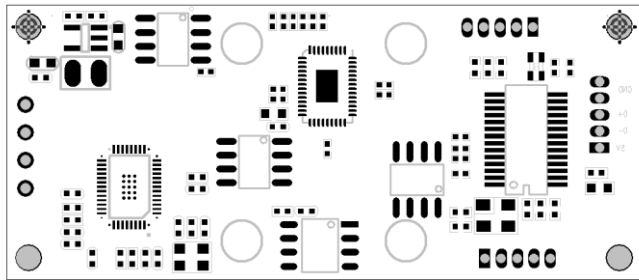
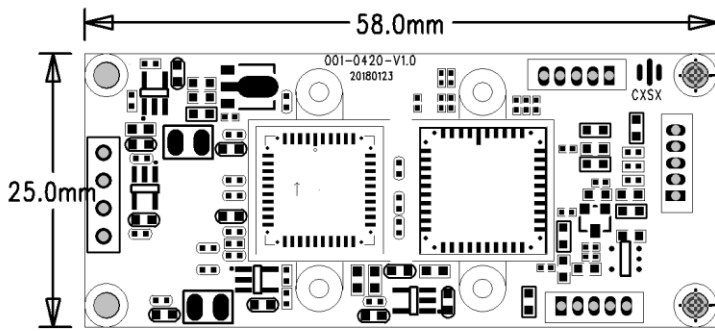
If the norms of such goods with a common technical specifications of the specification book is inconsistent to the specifications book shall prevail.

## 三、技术参数 (Technical parameters)

项目 (Items)	参数 (Parameters)	
感光片 (SENSOR)	AR0331	AR0130
感光片尺寸 (Lens Size)	1/3"	1/3"
最高有效像素 (Most effective pixels)	3.1M	1280*960=1.2Mp
数据格式 (Data Format)	MJPG/YUY2/H.264	MJPG/YUY2
像素大小 (Pixel Size)	2.2*2.2 $\mu$ m	3.75*3.75 $\mu$ m
宽动态范围 (dynamic range)	100DB	83.5dB
镜头 (Lens)	视角 FOV : D= 100°	
	光学总长 Optical length : 22MM	
	结构 lens construction : 6E=IR	
	接口 mount : M12*P0.5mm	
对焦 focusing	定焦(Fixed focus)	
帧速 (Frame rate)	30fps	
自动控制 (auto control)	饱和度(Saturation), 对比度(Contrast), 锐度(acutance), 白平衡 (White balance), 曝光 ( exposure )。	
红外灯(IR)	850nm 8LED 3528	
供电电压 (Voltage)	DC 5V	
最大工作电流 (working current)	MAX 500mA	
USB 接口 (USB Connector)	USB2.0	
储存温度 (Storage Temperature)	-20 C to +70 C	
其他(other)	双 SENSOR 黑白+彩色	
兼容系统 (system compatibility)	1、Windows XP ( SP2,SP3 )、Vista 、7、8、10	
	2、Linux or OS with UVC driver	

## 四：尺寸外观 Appearance Dimension

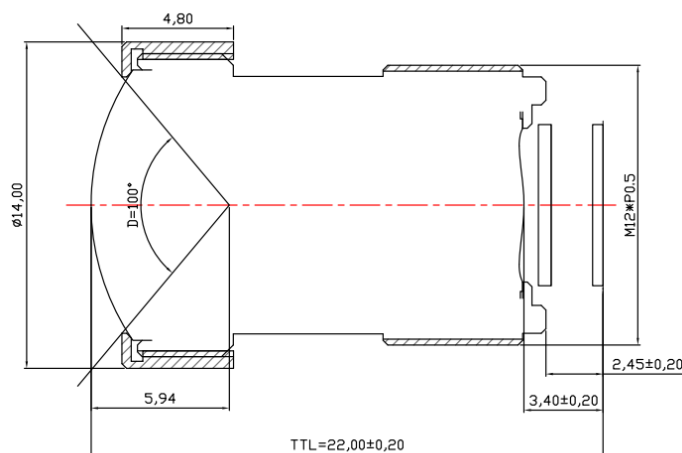
# Datasheet



## 五：镜头参数 Lens Specifications

- |                      |                      |
|----------------------|----------------------|
| 1.Resolution         | 16M                  |
| 2.Max Image Circle   | Ø8.0mm               |
| 3.FOCAL LENGTH (EFL) | f=3.14mm             |
| 4.F/NO (INFINITE)    | F/NO=2.4             |
| 5.BACK FOCAL LENGTH  | BFL=3.4mm            |
| 6.FLANGE BACK LENGTH | FB=2.45mm            |
| 7.Thread Size        | M12*P0.5             |
| 8.Element            | 6E+IR                |
| 9.IR FILTER SPEC     |                      |
|                      | Tavg>=88% @440-620nm |
|                      | T=50% @648±10nm      |
|                      | T<5% @>720nm         |

NOTE	SPECIFICATION
Sensor 型号 规格	1/2.5"IMX317
视场角 FOV	Vertical 57° y=1.776mm
	Horizontal 89° y=3.000mm
	Diagonal 100° y=3.609mm
DISTORTION	<3.9%
Relative Ill.	>66.5%
主光线角度(CRA)	<10.2°



2.OPTICAL LAYOUT: 5:1

## 六、功能检验标准 (Function inspection criteria)

### (一) 功能定义:

1. 摄像头模组电气性能、图像质量。(Electrical properties, the quality of image.)

# Datasheet

## (二) 检验方法:( Inspection methods)

1. 人员: 外观检查人员需经过培训并且辨色能力正常, 其视力应达到 1.0 以上(矫正后达到 1.0 以上亦可), 辨色能力应可通过标准测试。

Staff: The appearance of the inspectors to be trained and the capacity of normal color vision, Its vision to achieve more than 1.0 (after correction can also be reached more than 1.0), Color vision capability should be available through standard tests.

2. 工具: 连接电脑, 用 Amcap 测试软件检测图像。

Tool: Connect the computer, Testing images with Amcap software.

3. 距离和时间: 观察距离为 30 ~ 55cm, 观察时间为每个面 3 ~ 5 秒。

Distance and Time: Observation distance: 30 ~ 55cm,

Observation time for each surface: 3 ~ 5seconds

4. 检验环境: 外观检验应在不刺目的荧光灯下检查, 其最低照度应在 100 尺烛光亮度以上, 或者是 60W 日光灯, 1.5m 距离下检验。

Test condition: Visual inspection should be conducted under anti-glare fluorescent lamp with min 100 feet candela luminance, or under 60 watt fluorescent lamp of 1.5m distance.

## (三) 接受标准 (Accept criteria)

1. 图像无花屏、彩屏、变色。(The image has no mess, color screen and discoloration.)
2. 无白点、黑点、脏污、暗角。(There is no white spot, black spot, dirt or dark angle in the image.)
3. 图像清晰, 四周清晰度一至。(The image is same clear on all corners)

## 七、外观检验标准 (Visual inspection criteria)

### (一) 外观表面定义:( The appearance of the definition)

1. 摄像头模组的外观 (Camera module appearance)

# Datasheet

## (二) 检验方法:( Test methods)

1. 人员: 外观检查人员需经过培训并且辨色能力正常, 其视力应达到 1.0 以上 (矫正后达到 1.0 以上亦可), 辨色能力应可通过标准测试。

Staff: The appearance of the inspectors to be trained and the capacity of normal color vision, Its vision to achieve more than 1.0 (after correction can also be reached more than 1.0), Color vision capability should be available through standard tests.

2. 距离和时间: 观察距离为 50 ~ 75cm, 观察时间为每个表面 3 ~ 5 秒。

Distance and Time: Observation distance: 50 ~ 75cm,

Observation time for each surface: 3 ~ 5seconds

3. 检验环境: 外观检验应在不刺目的荧光灯下检查, 其最低照度应在 100 尺烛光亮度以上, 或者是 60W 日光灯, 1.5m 距离下检验。

Test condition: Visual inspection should be conducted under anti-glare fluorescent lamp with min 100 feet candela luminance, or under 60 watt fluorescent lamp of 1.5m distance.

4. 观察角度: 观察角度在 40° ~ 50°之间。

Observation angle: Observation angle between 40° ~ 50°.

## (三) 接受标准 (Accept criteria)

1. 清洁程度: 部件必须无污点、无尘、无油脂及无其它污迹。由于运输材料造成的污迹如果能够吹去或抹去则是可以接受的。

The degree of Cleanliness : Components must not stain, clean, no grease and other stains. Because of s s stains caused by the transport of materials can be erased , it is acceptable.

2. 装配表面: 需装配的零部件应避免有划痕、凿痕、凹痕、弯折、破裂、压痕、擦伤或其它因不当装配所引起的缺陷。

Assembly surface: Assembly of parts and components required to have scratches should be avoided, dent, bend, break down, Indentation, scratches or other improper assembly defects.

## 八、 可靠性测试 (Reliability Test)

项目 Items	条件 Condition	规格 Specification
----------	--------------	------------------

# Datasheet

高温实验 High Temperature Test	温度(Temp): 80°C 时间(Time): 96H	无异常 No abnormal
低温实验 Low Temperature Test	温度(Temp): -20°C 时间(Time): 96H	无异常 No abnormal
湿度实验 Humidity Test	温度(Temp): 60°C 湿度(Humidity): 80-85% 时间(Time): 24H	无异常 No abnormal
镜头座拉力实验 Cable Tensile Strength Test	荷重: 4KG 持续时间: 60 秒	无异常 No abnormal
跌落测试 (单体) Drop Test	高(High): 60CM 回数: 10 次 木板上	电性能正常 Electric normal
跌落测试 (整箱) Drop Test	高(High): 60CM 一角三边六面 木板上	电性能正常 Electric normal
震动测试 (单体) Vibration Test	1. 震动机的震动频率调至 50Hz; Vibration machine vibration frequency to 50Hz 2. 震动幅度 Vibration amplitude 1.5MM; 3. 震动时间 Vibration time 30 Minutes	电性能正常 Electric normal
拔插实验 USB connector	回数: 2500 回	电性能正常 Electric normal

## 九. 包装要求(Packing Request)

- 1、产品应严格根据产品特点制定相应的包装标准并遵照执行，以保证产品规定使用和储存期内，达到防静电、防湿、防震、防霉、防野蛮装卸等标志及相关保质要求。

Products should be strictly in accordance with the characteristics of the development of the corresponding Product packaging standards and in compliance with the implementation, guarantee the use and storage of products during the period, reaching anti-static, moisture, shock-proof, mildew, anti-barbaric handling related signs and shelf-life requirements.

- 2、产品外包装上应标明：供方名称/标志、产品型号规格、内装数量、生产日期/批号和定单号。

本资料为创芯视讯科技有限公司所有，未经书面同意，不准透露，使用，亦不准复印或者转变成其他任何形式<sup>6</sup>

# Datasheet

---

Product packaging should be marked: Supply-side name / logo, Product Model specifications, containing the number, production date / batch number and order number.

3、包装及装箱方案依据客户要求，由双方协商具体细节，以封样为准。

Packaging and packing programs based on customer requirements, specific details of consultations by both parties, to finished products as the standard.

## 十. 其它 (Others)

1. 本承认书的更改需经双方确认，任何一方单独修改无效。

The recognition of the need to change the book recognized by both parties, either party to amend a separate as null and void.

2. 本承认书在客户收到的七个工作日内，必须签章返回，逾期视为默认。

Admit in the book the customer received within seven working days, must return signature, late regarded as the default.